

**PLEASE CHECK WWW.MOLEX.COM FOR LATEST PART INFORMATION**

**Part Number:** [52892-3095](#)  
**Status:** **Active**  
**Description:** 0.50mm Pitch Easy-On™ Type FFC/FPC Connector, Right Angle, SMT, ZIF, Bottom Contact Style, Cable Retention Guide, 30 Circuits, Lead-Free

**Documents:**

[3D Model](#) [Packaging Specification SPK-52892-001 \(PDF\)](#)  
[Drawing \(PDF\)](#) [RoHS Certificate of Compliance \(PDF\)](#)  
[Product Specification PS-52892-038 \(PDF\)](#)

**General**

|                |                       |
|----------------|-----------------------|
| Product Family | FFC/FPC Connectors    |
| Series         | <a href="#">52892</a> |
| Comments       | Hinge, Cable Guide    |
| Product Name   | Easy-On™              |
| UPC            | 822348116652          |

**Physical**

|                                |                                |
|--------------------------------|--------------------------------|
| Circuits (Loaded)              | 30                             |
| Color - Resin                  | Natural                        |
| Contact Position               | Bottom                         |
| Durability (mating cycles max) | 20                             |
| Entry Angle                    | 90° Angle                      |
| Mated Height                   | 2.00mm                         |
| Material - Metal               | Phosphor Bronze                |
| Material - Plating Mating      | Tin-Bismuth                    |
| Material - Plating Termination | Tin-Bismuth                    |
| Material - Resin               | High Temperature Thermoplastic |
| Net Weight                     | 305.920/mg                     |
| Number of Rows                 | 1                              |
| Orientation                    | Right Angle                    |
| PCB Locator                    | No                             |
| PCB Retention                  | Yes                            |
| Packaging Type                 | Embossed Tape on Reel          |
| Pitch - Mating Interface       | 0.50mm                         |
| Plating min - Mating           | 1.016µm                        |
| Plating min - Termination      | 1.016µm                        |
| Polarized to PCB               | No                             |
| Stackable                      | No                             |
| Surface Mount Compatible (SMC) | N/A                            |
| Temperature Range - Operating  | -25°C to +85°C                 |
| Termination Interface: Style   | Surface Mount                  |
| Wire/Cable Type                | FFC/FPC                        |

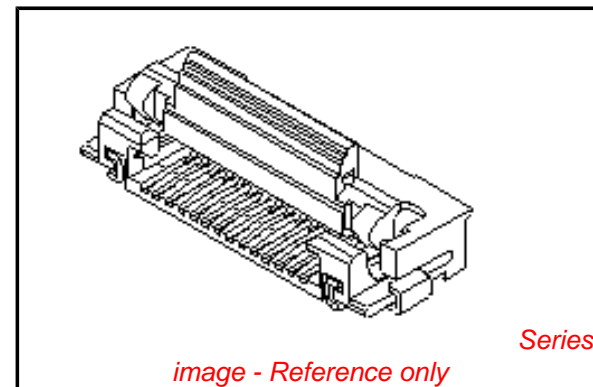
**Electrical**

|                               |      |
|-------------------------------|------|
| Current - Maximum per Contact | 0.5A |
| Voltage - Maximum             | 50V  |

**Material Info**

**Reference - Drawing Numbers**

|                         |   |
|-------------------------|---|
| Packaging Specification | SPK-52892-001   |
| Product Specification   | PS-52892-038, RPS-52892-036, RPS-52892-039, RPS-52892-045, RPS-52892-049, RPS-52892-052 |
| Sales Drawing           | SD-52892-040, SD-52892-041  |



*image - Reference only*

**EU RoHS**

**ELV and RoHS Compliant**  
**REACH SVHC Contains SVHC: No**  
**Low-Halogen Status**  
**Not Low-Halogen**

**China RoHS**



**Need more information on product environmental compliance?**

Email [productcompliance@molex.com](mailto:productcompliance@molex.com)  
 For a multiple part number RoHS Certificate of Compliance, [click here](#)

Please visit the [Contact Us](#) section for any non-product compliance questions.

**Search Parts in this Series**

[52892Series](#)

This document was generated on 03/08/2013

**PLEASE CHECK [WWW.MOLEX.COM](http://WWW.MOLEX.COM) FOR LATEST PART INFORMATION**